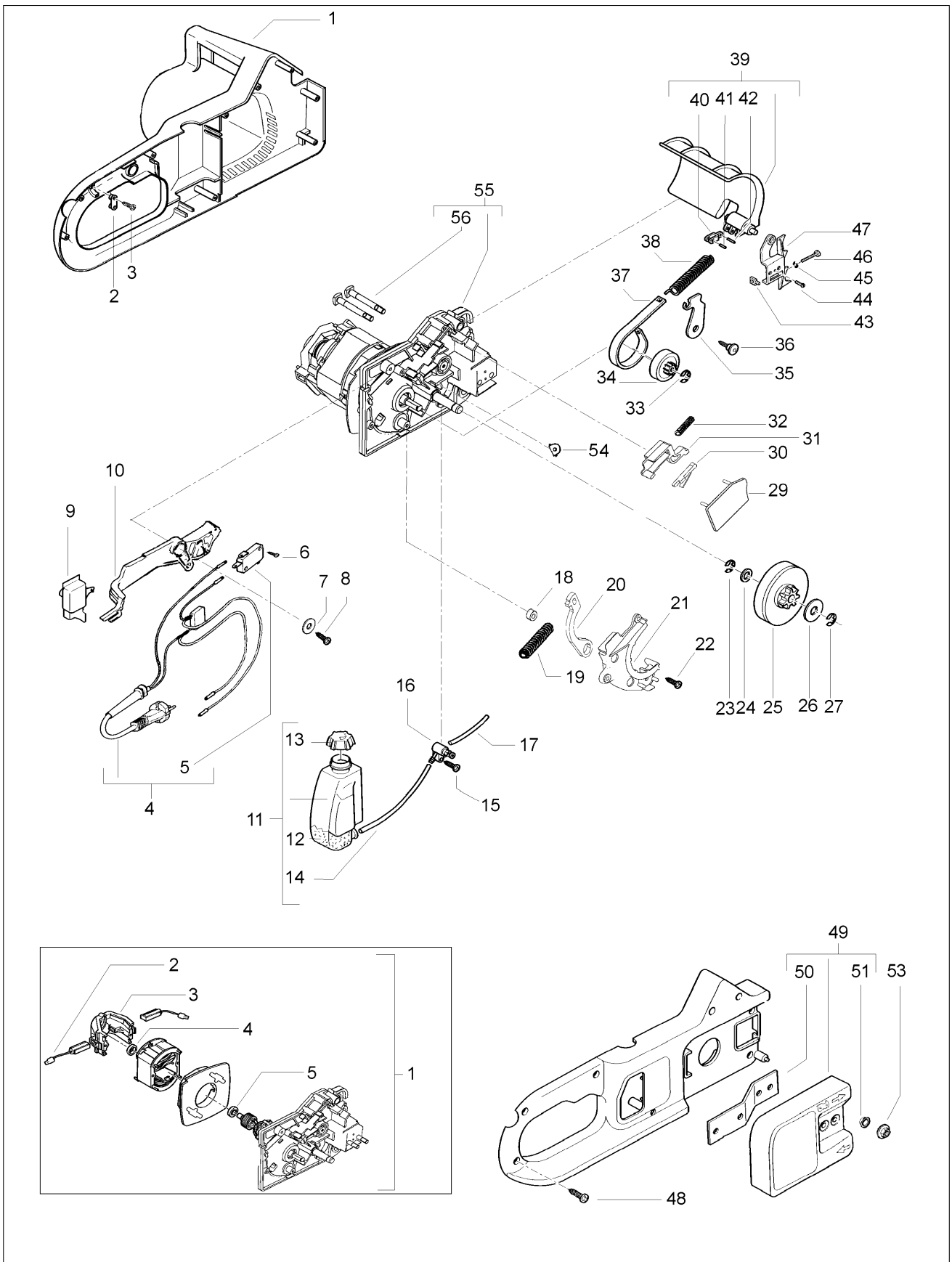


HUSQVARNA OUTDOOR PRODUCTS ITALIA

PNC	ML	Model	Brand
3150012-52 953900175	08	ELECTRAMAC 312 SCHUKO	McCulloch
3150014-52 953900176	08	ELECTRAMAC 314 SCHUKO	McCulloch
953900286	08	ELECTRAMAC 314 + GILET	McCulloch
3150016-52 953900177 953900610 953900287	08	ELECTRAMAC 316 SCHUKO	McCulloch
3160012-52 953900163	08	ELECTRAMAC 330 SCHUKO	McCulloch
953900309	08	ELECTRAMAC 335 ASSY UK	McCulloch
3160014-52 953900163	08	ELECTRAMAC 335 SCHUKO	McCulloch
953900237	08	ELECTRAMAC 340 ASSY UK	McCulloch
3160016-52 953900164 953900669 953900708 953900731	08	ELECTRAMAC 340 SCHUKO	McCulloch
953900730	08	ELECTRAMAC 340 SUPER	McCulloch
953900606	08	ELECTRAMAC 340 AUSTRALIA	McCulloch
953900558	08	ELECTRAMAC MES 1650	McCulloch
953900484	08	ELECTRAMAC MC EX 16	McCulloch
953900498	08	MES 316 + CHAIN OIL	McCulloch
953900499	08	M 335 + CHAIN OIL	McCulloch
953900500	08	M 340 + CHAIN OIL	McCulloch

Number of Pages 1 of 3

Factory:	IIQ - Valmadrera	Product Group:	OP 93
Publication Number:	MIPL2007_V390000001	Petrol Portable	
Publication Date:	28/09/07	Sub Group	9434



Item	PN	Qty	Description
FIGURE 1			
1	538249427	1	crankcase kit, yellow
2	538241052	1	wires clamp
3	538241077	2	screw
C 4	538243008	1	wires ass'y(schuko)
C 4	538243039	1	wires ass'y(UK)
C 4	538243038	1	wires ass'y(CH)
C 4	538243044	1	wires ass'y(AU)
C 5 *	538242687	1	microswitch
6	538240862	1	screw self threading 4x18
7	538241703	1	washer
8	538240833	1	screw self threading 3x20
9	538243009	1	trigger
10	538243014	1	trigger lever
C 11	538004305	1	oil tank ass'y
12 *	538242365	1	oil filter
B 13 *	538241060	1	cap
C 14 *	538242402	1	oil tube (tank - oil pump)
15	538240862	1	screw self threading 4x18
B 16	538241183	1	oil pump
17	538229743	1	oil tube (oil tank - chain)
B 18	538243005	1	bushing
19	538243006	1	spring
B 20	538243004	1	brake (stop in time)
21	538243007	1	brake cover
22	538240862	3	screw self threading 4x18
23	538229137	1	seeger D.8
C 24	538241074	1	washer 10x15x1
A 25	538243909	1	gear
C 26	538241075	1	washer 10x30x0,8
B 27	538229137	1	seeger D.8
29	538243020	1	slide cover
C 30	538243019	1	trigger lock
C 31	538243018	1	slide
C 32	538241574	1	spring
33	538241073	1	seeger D.8
B 34	538243003	1	pinion
35	538241044	1	lever
36	538241045	1	screw
37	538241500	1	brake metal stripping
38	538241451	1	brake spring
39	538247717	1	brake lever ass'y
40 *	538241043	1	toggle
41 *	538229394	1	pin
42 *	538241978	1	pin
43	538241037	1	tensioner nut
44	538229082	1	screw
45	538235367	1	seeger ring

Item	PN	Qty	Description
46	538241167	1	screw
47	538241036	1	spiked bumper
48	538240862	8	screw self threading 4x18
C 49	538248317	1	pinion cover ass'y
50 *	538241066	1	pinion cover plate
51 *	538241067	2	bushing
A 53	538242501	2	nut M6
B 54	538243017	1	cap
55	—		FIGURE 2
A 56 *	538241035	2	bar bolt

Item	PN	Qty	Description
FIGURE 2			
C 1	538243033	1	motor ass'y
C 2 *	538048956	2	brushes
C 3 *	538048957	1	brushes holder
C 4 *	538216400	1	bearing
C 5 *	538216404	1	bearing

A = ALTA ROTAZIONE	A = HIGH MOVING	A = HAUTE DEMANDE	A = GROBE NACHFRAGE
B = MEDIA ROTAZIONE	B = MEDIUM MOVING	B = MOYENNE DEMANDE	B = MITTELMAESSIGE
C = BASSA ROTAZIONE	C = SLOW MOVING	C = BASSE DEMANDE	C = WENIGE NACHFRAGE
NUOVI CODICI	NEW PARTS	NOUVELLE REFERENCES	NEU CODEX